

Product Description

SPECIFICATIONS

4-season safety cover that complies with the **AFNOR regulation NF P90-308 December 2013**



• **Manipulation :** Ratchet spanner to be placed on the central drum for closing and opening

• **Membrane :** PVC pre-stressed membrane

• **Belt :** Polyurethane with stainless steel cables



• **Mechanical :** All the metallic parts involved in the security are in anodized aluminium and 316 stainless steel

• **Rails :** Anodized aluminium

• **Casing :** Polyester powder-coated aluminium, matt finished of **Ral colour 7037** (standard)

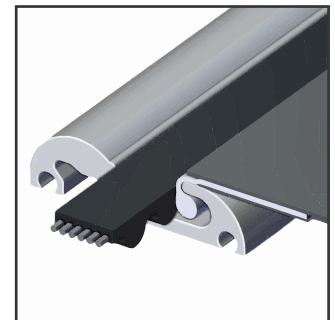
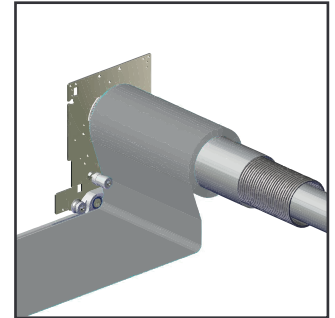


• **Length :** min 2 meters -> max 24 meters

• **Width :** min 2 meters -> max 8,5 meters (depending on the length of the cover)¹



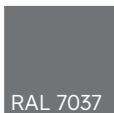
• **Speed :** Closing/opening time : 60 seconds for a length of 5 meters



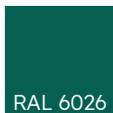
AVAILABLE COLOURS OF THE MEMBRANE



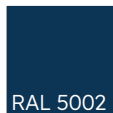
RAL 7035
Light Grey



RAL 7037
Dust Grey



RAL 6026
Opal Green



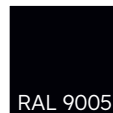
RAL 5002
Ultramarine Blue



RAL 5015
Sky Blue



RAL 1015
Light Ivory



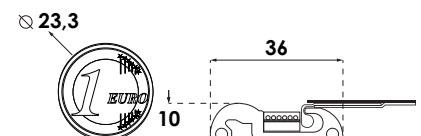
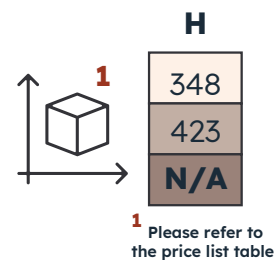
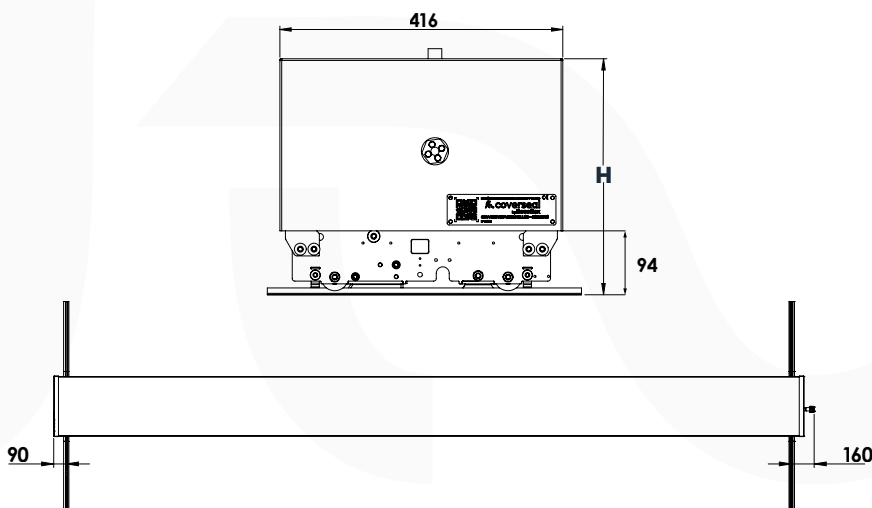
RAL 9005
Pure Black



AVAILABLE OPTIONS

- All-terrain rail (RTT) 72,0 mm x 10,6 mm (unregular surface or low density)
- The casing is available in all RAL K7 Classic paints except for fluo and metallic paints.
- Mechanical closing sensor
- «Champagne color rail» (Only standard rail)

MEASURES (in mm)



afnor



Technical Data Sheet: Manual Model
Cover 102 in compliance with the Afnor NF P90-308 standard of December 2013 - LNE certified

coverseal